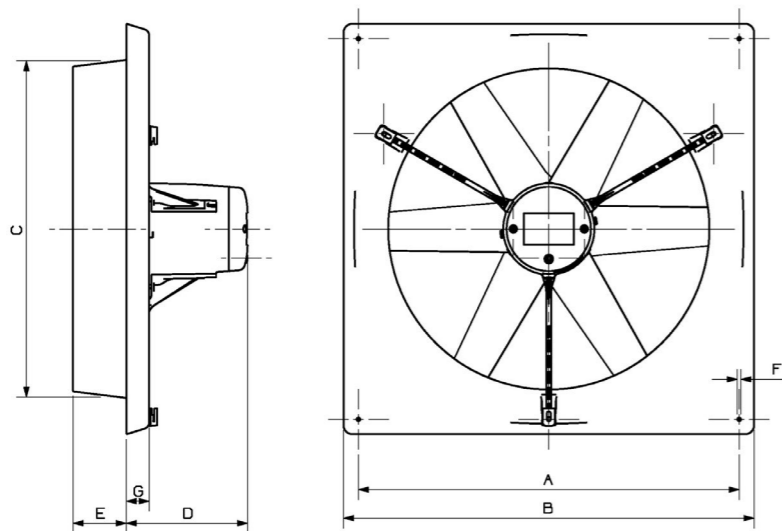


Dimensions

Impeller range cm	Number of poles	Size in mm							Dimensions packing in mm (lxwxh)
		A	B	C	D max	E	F	G	
20	4	250	276	220	123	51	9	12	295x295x210
25	4	300	326	269	133	51	9	12	345x345x210
30	2,4	395	442,5	340	(192)	84	7,5	36	455x455x311
35	2,4	445	492,5	390	(192)	84	7,5	36	505x505x311
40	4,6	495	542,5	440	(192)	84	7,5	36	555x555x311
45	4,6	545	592,5	490	(192)	84	7,5	36	605x605x311
50	4,6	600	647,5	540	(192)	84	7,5	36	655x655x311
56	4,6	640	700	600	247	105	10	40	715x715x396
63	4,6	715	775	670	247	105	10	40	790x790x396
71	4,6	790	850	740	247	105	10	40	865x865x396
92	6	947	1005	940	247	93	10	40	motor: 371x222x216 frame: 1050x1050x170

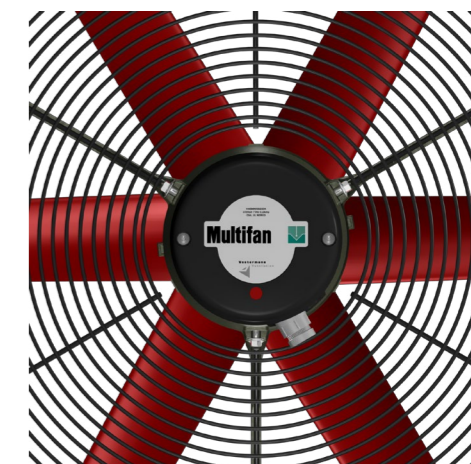
Dimensional Diagram



Multifan 

VOSTERMANS
VENTILATION

Technical data
50 Hz
standard program



Vostermans
Ventilation

Vostermans Ventilation B.V.
P.O. Box 3025
NL-5902 RA Venlo – Holland
Tel. +31 (0)77 389 32 32
Fax +31 (0)77 382 08 93
ventilation@vostermans.com
www.vostermans.com

Vostermans Ventilation S.A.R.L.
B.P. 1801
27018 Evreux Cedex
France
Tel. +33 (0)2 32 38 11 00
Fax +33 (0)2 32 33 37 12
ventilation@vostermansfrance.com
www.vostermans.com

Vostermans Ventilation Inc.
2439 S.Main St. – USA
Bloomington, IL 61704
Tel. +1 309 827 - 9798
Fax +1 309 829 - 1993
ventilation@vostermansusa.com
www.vostermansusa.com

Vostermans Ventilation Sdn. Bhd.
330, Lot 2593, Jln Seruling 59, Kws3,
Tmn Klang Jaya, 41200, Klang,
Selangor D.E., Malaysia
Tel. +60 (0)33324 3638 (HL)
Fax +60 (0)33324 1239
ventilation@vostermansasia.com
www.vostermans.com

Vostermans Ventilation B.V. develops, manufactures and distributes the full line of:

Multifan 

All rights reserved. Vostermans Companies is not responsible for inaccurate or incomplete data. In case of questions and / or regards, please contact ventilation@vostermans.com



Subject to alterations 05/2012



SPECIALIST IN AIR

Technical data single-phase 230 V / 50 Hz



	Ø (cm)	Type	Multifan code	I _{nom} (A)	I _{max} (A)	P _{in} (W)	W/1000 m ³ /h	Controllability (*)	L _p dB(A)**	Cond. uF/400	
1~230V 50 Hz	2800 RPM	30	2E30	V2E30AØ	1,30	1,90	290	94,5	E/T	61	8
		30	2E30-6PP-40	V2E30A4	2,40	4,20	520	122,6	T	64	16
		35	2E35	V2E35AØ	1,70	2,80	370	74,6	E/T	65	8
	1400 RPM	20	4WS20	VWS20	0,48	0,58	60	92,3	E/T	43	-
		25	4WS25	VWS25	0,72	0,86	100	83,3	E/T	45	-
		30	4E30	V4E30AØ	0,55	0,66	110	47,0	E/T	44	3
		35	4E35	V4E35AØ	0,91	1,09	160	45,7	E/T	47	4
		40	4E40	V4E40AØ	1,11	1,33	230	47,4	E/T	50	6
		45	4E45	V4E45AØ	1,47	1,76	300	47,2	E/T	52	8
		50	4E50	V4E50AØ	1,96	2,35	440	52,1	E/T	55	12
	900 RPM	50	4E50-6PP-40	V4E50A1	2,76	4,00	580	59,8	E/T	57	12
		63	4E63	V4E63A1	6,22	8,00	1.370	81,5	-	68	22+3
40		6E40	V6E40AØ	1,10	1,32	180	49,5	E/T	47	6	
45		6E45	V6E45AØ	1,43	1,72	250	48,5	E/T	51	10	
50		6E50	V6E50AØ	1,46	1,75	300	42,0	E/T	51	8	
56		6E56	V6E56AØ	2,50	3,00	510	50,5	E/T	52	16	
63		6E63	V6E63AØ	3,00	3,10	600	44,4	E/T	55	16	
71		6E71	V6E71AØ	3,05	3,66	620	44,3	E/T	60	16	
	71	6E71-4PP-40	V6E71A1	3,40	4,08	730	46,8	E/T	61	16	
	92	6E92	V6E92AØ	4,00	4,80	790	37,4	E/T	61	16	

Fan capacities single-phase 230 V / 50 Hz (m³/h)



	Type	Multifan code	Fan capacities (m ³ /h)					
			0 Pa	30 Pa	50 Pa	80 Pa	100 Pa	
1~230 V 50 Hz	2800 RPM	2E30	V2E30AØ	3.070	2.880	2.760	2.560	2.400
		2E30-6PP-40	V2E30A4	4.240	4.140	4.070	3.950	3.860
		2E35	V2E35AØ	4.960	4.690	4.510	4.230	4.040
	1400 RPM	4WS20	VWS20	650				
		4WS25	VWS25	1.200				
		4E30	V4E30AØ	2.340	2.060			
		4E35	V4E35AØ	3.500	3.140	2.860		
		4E40	V4E40AØ	4.850	4.380	4.020		
		4E45	V4E45AØ	6.350	5.800	5.400		
		4E50	V4E50AØ	8.450	7.750	7.300		
	900 RPM	4E50-6PP-40	V4E50A1	9.700	9.300	8.700	8.000	7.450
		4E63	V4E63A1	16.800	15.900	15.200	14.200	13.600
6E40		V6E40AØ	3.640	2.850				
6E45		V6E45AØ	5.150	4.200	3.200			
6E50		V6E50AØ	7.150	6.100	5.000			
6E56		V6E56AØ	10.100	9.000	8.050			
6E63		V6E63AØ	11.900	11.300	9.750			
6E71		V6E71AØ	14.000	12.600	11.600			
	6E71-4PP-40	V6E71A1	15.600	14.000	12.800			
	6E92	V6E92AØ	21.100	18.400	16.500			

Technical data three-phase 230/400 V / 50 Hz

	Ø (cm)	Type	Multifan code	I _{nom} (A) 230 V	I _{nom} (A) 400 V	I _{max} (A)	P _{in} (W)	W/1000 m ³ /h	Controllability (*)	L _p dB(A)**	
3~230/400V 50 Hz	2800 RPM	30	2D30	V2D30AØ	1,06	0,61	1,16/0,67	270	78,7	T/F	62
		35	2D35	V2D35AØ	1,44	0,83	1,58/0,91	380	78,8	T/F	65
		30	4D30	V4D30AØ	0,48	0,28	0,53/0,31	90	39,1	T/F	44
	1400 RPM	35	4D35	V4D35AØ	0,94	0,54	1,03/0,59	160	46,0	T/F	47
		40	4D40	V4D40AØ	0,97	0,56	1,07/0,62	210	44,2	T/F	50
		45	4D45	V4D45AØ	1,14	0,66	1,26/0,73	280	44,1	T/F	52
		50	4D50	V4D50AØ	1,80	1,04	1,98/1,14	380	45,8	T/F	55
		50	4D50-4PP-45	V4D50A2	2,98	1,72	3,64/2,10	820	78,1	T/F	60
		50	4D50-6PP-45	V4D50A4	2,10	1,21	2,31/1,33	530	54,4	T/F	61
		56	4D56	V4D56AØ	3,27	1,89	3,60/2,08	960	76,2	T/F	61
	900 RPM	63	4D63	V4D63A1	5,92	3,42	6,52/3,76	1.480	84,1	T/F	65
		63	4D63-5PP-45	V4D63A2	8,04	4,64	8,49/4,90	2.320	119,0	T/F	66
71		4D71	V4D71AØ	7,76	4,48	8,54/4,93	1.750	84,1	T/F	69	
45		6D45-5PP-45	V6D45A	0,97	0,56	1,07/0,62	210	39,6	T/F	48	
50		6D50	V6D50AØ	1,07	0,62	1,18/0,68	260	37,7	T/F	50	
56		6D56	V6D56AØ	1,16	0,67	1,28/0,74	300	34,5	T/F	49	
63		6D63	V6D63AØ	2,23	1,29	2,46/1,42	600	46,2	T/F	53	
63		6D63-5PP-40	V6D63A4	2,11	1,22	2,32/1,34	560	49,6	T/F	54	
	71	6D71	V6D71AØ	2,98	1,72	3,28/1,89	850	52,1	T/F	56	
	71	6D71-5PP-40	V6D71A	3,12	1,80	3,43/1,98	870	51,8	T/F	56	
	92	6D92	V6D92A1	2,62	1,51	2,88/1,66	830	40,9	T/F	61	
	92	6D92-3PP-28	V6D92A2	4,56	2,63	5,54/3,20	1.080	43,7	T/F	64	

* E = Electronically controllable (electronic voltage control by TRIAC/SCR), T = Trafo controllable (voltage control by transformer), F = (Frequency controllable by frequency controller). A frequency controller in combination with a single-phase motor is possible. Inform about possibilities.
 ** Sound pressure level measured at 7 m. free blowing distance. All air capacities without wire guard. All motors meet the IP55 standard.

Fan capacities three-phase 230/400 V / 50 Hz (m³/h)

	Type	Multifan code	Fan capacities (m ³ /h)						
			0 Pa	30 Pa	50 Pa	80 Pa	100 Pa	150 Pa	
3~230/400V 50 Hz	2800 RPM	2D30	V2D30AØ	3.430	3.270	3.150	2.940	2.800	
		2D35	V2D35AØ	4.820	4.520	4.310	3.990	3.760	
		4D30	V4D30AØ	2.300	2.010				
	1400 RPM	4D35	V4D35AØ	3.480	3.140	2.830			
		4D40	V4D40AØ	4.750	4.270	3.920			
		4D45	V4D45AØ	6.350	5.800	5.350			
		4D50	V4D50AØ	8.300	7.650	7.150			
		4D50-4PP-45	V4D50A2	10.500	9.950	9.500	8.800		
		4D50-6PP-45	V4D50A4	9.750	9.100	8.600	7.750		
		4D56	V4D56AØ	12.600	11.900	11.400	10.600	9.850	
	900 RPM	4D63	V4D63A1	17.600	16.600	16.000	15.100	14.500	12.600
		4D63-5PP-45	V4D63A2	19.500	18.900	18.400	17.600	17.000	15.200
4D71		V4D71AØ	20.800	19.700	18.900	17.800	17.000		
6D45-5PP-45		V6D45A	5.300	4.560	3.790				
6D50		V6D50AØ	6.900	5.950	4.990				
6D56		V6D56AØ	8.700	7.500	6.550				
6D63		V6D63AØ	13.000	11.500	10.400				
6D63-5PP-40		V6D63A4	11.300	10.200	9.400				
	6D71	V6D71AØ	16.300	14.600	13.300				
	6D71-5PP-40	V6D71A	16.800	14.900	13.900				
	6D92	V6D92A1	20.300	17.600	15.700				
	6D92-3PP-28	V6D92A2	24.700	22.300	20.400	17.000			

* E = Electronically controllable (electronic voltage control by TRIAC/SCR), T = Trafo controllable (voltage control by transformer), F = (Frequency controllable by frequency controller). A frequency controller in combination with a single-phase motor is possible. Inform about possibilities.
 ** Sound pressure level measured at 7 m. free blowing distance. All air capacities without wire guard. All motors meet the IP55 standard.